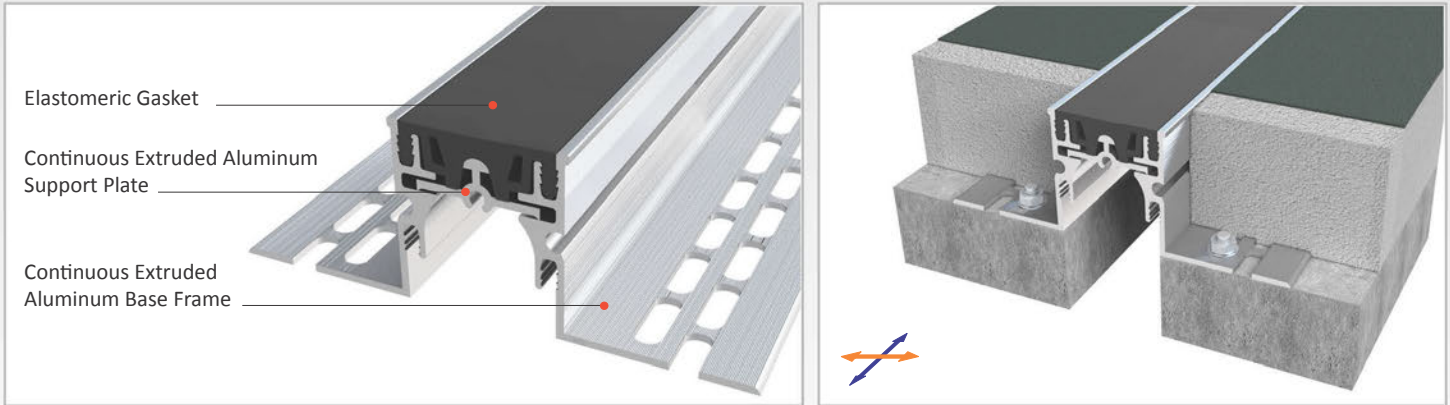
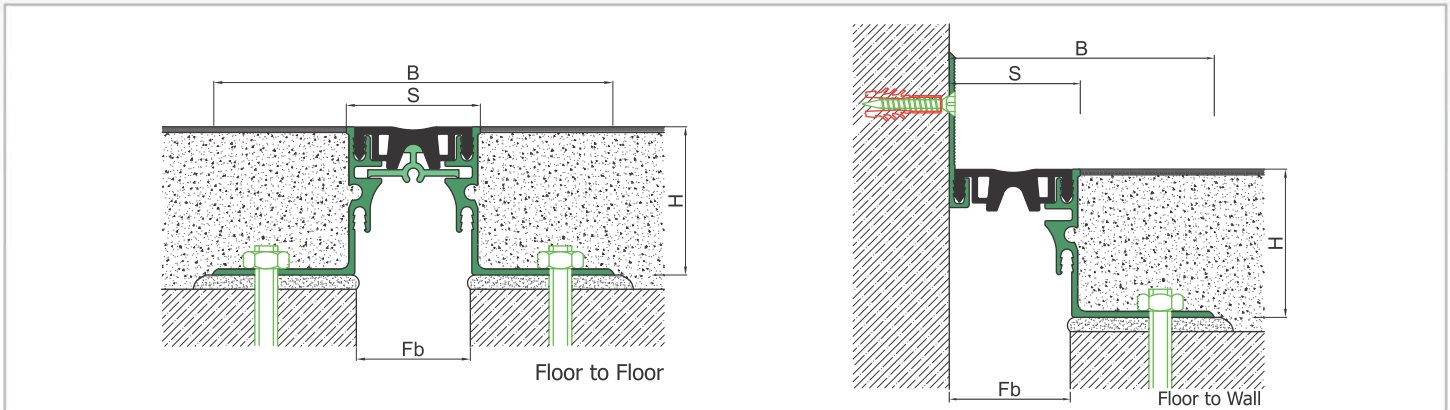


AS A233 is a heavy duty flush mounted profile and applicable to all types of floors. Push-down smooth gasket prevents accumulation of water, dirt and all other external factors in the gasket and can be changed in a very easy way, if it's needed. Round tipped support plate reinforces the gasket and prevents collapsing of it under heavy loads. Punched base frame lets the profile to be installed in an easy, quick and secured way.

- Application Areas** : Indoor & Outdoor / Floor
- Ideal for** : Car Parks, Warehouses, Shopping Malls, Airports, Public Buildings etc.
- Material** : Mill Finish Aluminum (Anodizing optional), EPDM (Only in Black Color) or TPE Gasket
- Aluminum Alloy** : 6063 AA-USA / EN AW 6063
- Optional Supplies** : Fire Barrier, Waterproof EPDM membrane



FLOOR

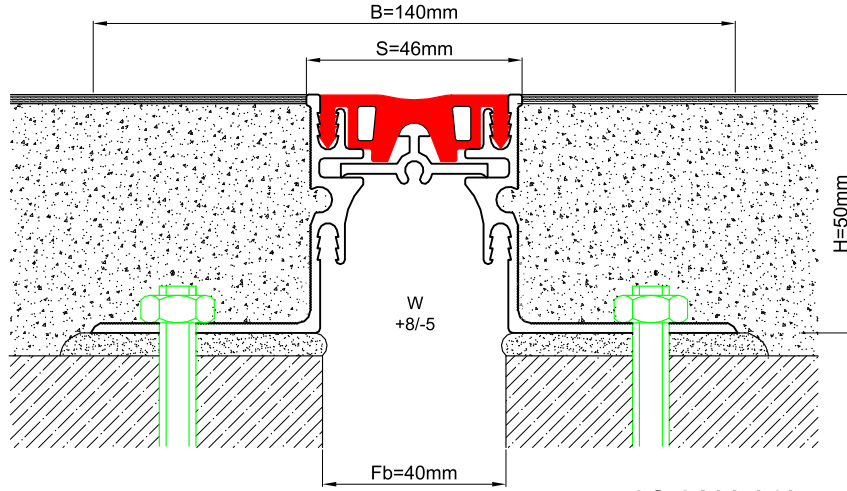
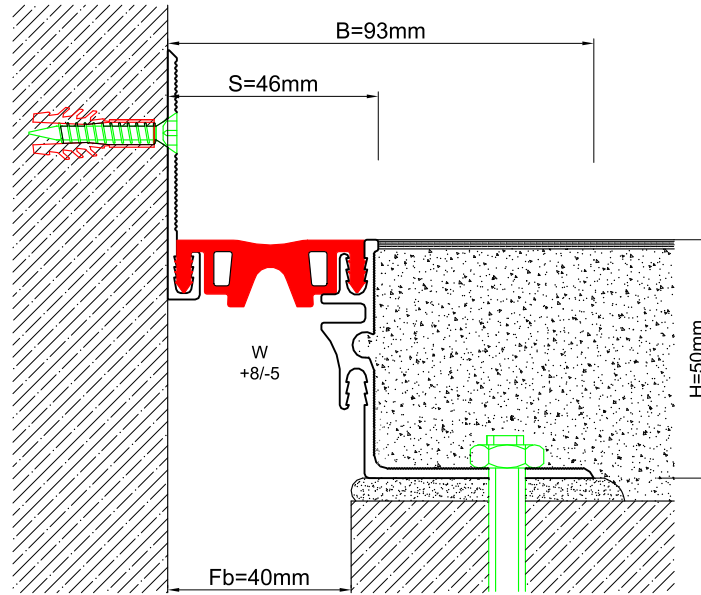



* Visuals are representative and the profile configuration may differ depending on the characteristics requested.

GASKET COLORS: **BLACK** GREY BEIGE Custom Colors available.

LOCATION	MODEL	GAP (Fb) mm	HEIGHT (H) MM	OVERALL WIDTH (B) mm	VISIBLE WIDTH (S) mm	MOVEMENT (W) mm	LOAD CAPACITY	STANDARD LENGTH (mt)
Floor to Floor	AS A233-040	40	50	146	46	+8 / -5	25 kN 50 kN	3
	AS A233-050	50	50	150	56	+8 / -5	25 kN	3

Note: Please ask for different sizes


 AS A233 040
 H50D

 AS A233 040
 H50KD

Profil No Profile Number	AS A233 040	AS A233 040K
Fb (mm)	40	40
H (mm) yaklaşık approx.	50	50
W± (mm) yaklaşık approx.	+8/-5	+8/-5
Renk Color	Alüminyum: Natürel, Filtiller: Siyah, gri, diğer Aluminum: Natural, Inserts: Black, grey, others	
Malzeme Material	Alüminyum, Termoplastik Kauçuk (gri ve diğer) Aluminium, Thermoplastic Rubber (grey and others)	
Standart Uzunluk Standard Length	3	
Yükleme Kapasitesi Load-Bearing Capacity	25kN 	50kN 